

## EMC-OPTIMIZED HIGH SPEED CAN TRANSCEIVER

### FEATURES

- Qualified for Automotive Applications
- Improved Drop-In Replacement for TJA1040
- Meets or Exceeds the Requirements of ISO 11898-5
- GIFT/ICT Compliant
- ESD Protection up to  $\pm 12$  kV (Human-Body Model) on Bus Pins
- Low-Current Standby Mode With Bus Wake-Up,  $<12$   $\mu$ A Max
- High Electromagnetic Compliance (EMC)
- Bus-Fault Protection of  $-27$  V to 40 V
- Dominant Time-Out Function
- Thermal Shutdown Protection
- Power-Up/Down Glitch-Free Bus Inputs and Outputs
  - High Input Impedance With Low  $V_{CC}$
  - Monotonic Outputs During Power Cycling

### APPLICATIONS

- GMW3122 Dual-Wire CAN Physical Layer
- SAE J2284 High-Speed CAN for Automotive Applications
- SAE J1939 Standard Data Bus Interface
- ISO 11783 Standard Data Bus Interface
- NMEA 2000 Standard Data Bus Interface

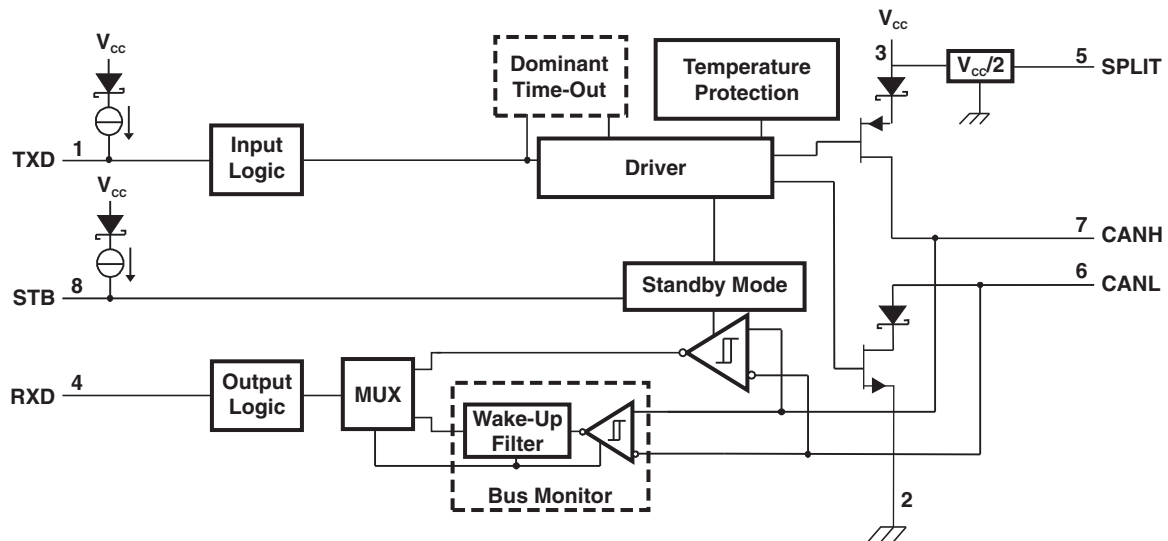
### DESCRIPTION

The SN65HVD1040A meets or exceeds the specifications of the ISO 11898 standard for use in applications employing a Controller Area Network (CAN). The device is qualified for use in automotive applications.

As a CAN transceiver, this device provides differential transmit capability to the bus and differential receive capability to a CAN controller at signaling rates up to 1 megabit per second (Mbps)<sup>(1)</sup>.

- (1) The signaling rate of a line is the number of voltage transitions that are made per second, expressed in the units bps (bits per second).

### FUNCTIONAL BLOCK DIAGRAM



Please be aware that an important notice concerning availability, standard warranty, and use in critical applications of Texas Instruments semiconductor products and disclaimers thereto appears at the end of this data sheet.



These devices have limited built-in ESD protection. The leads should be shorted together or the device placed in conductive foam during storage or handling to prevent electrostatic damage to the MOS gates.

## DESCRIPTION (CONTINUED)

Designed for operation in especially harsh environments, the SN65HVD1040A features cross-wire, over-voltage, and loss of ground protection from  $-27\text{ V}$  to  $40\text{ V}$ , over-temperature protection, a  $-12\text{-V}$  to  $12\text{-V}$  common-mode range, and withstands voltage transients according to ISO 7637.

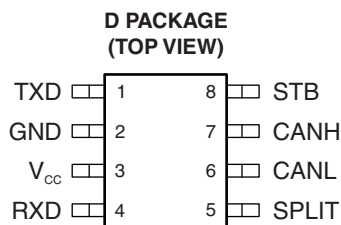
STB (pin 8) provides two different modes of operation: high-speed mode or low-current standby mode. The high-speed mode of operation is selected by connecting STB (pin 8) to ground.

If a high logic level is applied to the STB pin of the SN65HVD1040A, the device enters a low-current standby mode, while the receiver remains active in a low-power bus-monitor standby mode.

In the low-current standby mode, a dominant bit greater than  $5\text{ }\mu\text{s}$  on the bus is passed by the bus-monitor circuit to the receiver output. The local protocol controller may then reactivate the device when it needs to transmit to the bus.

A dominant time-out circuit in the SN65HVD1040A prevents the driver from blocking network communication with a hardware or software failure. The time-out circuit is triggered by a falling edge on TXD (pin 1). If no rising edge is seen before the time-out constant of the circuit expires, the driver is disabled. The circuit is then reset by the next rising edge on TXD.

SPLIT (pin 5) is available as a  $V_{CC}/2$  common-mode bus voltage bias for a split-termination network (see application information).



## ORDERING INFORMATION<sup>(1)</sup>

PART NUMBER	PACKAGE <sup>(2)</sup>	MARKED AS	ORDERING NUMBER
SN65HVD1040A-Q1	SOIC-8	1040AQ	SN65HVD1040AQDRQ1 (reel)

(1) For the most current package and ordering information, see the Package Option Addendum at the end of this document, or see the TI web site at [www.ti.com](http://www.ti.com).

(2) Package drawings, thermal data, and symbolization are available at [www.ti.com/packaging](http://www.ti.com/packaging).

**ABSOLUTE MAXIMUM RATINGS<sup>(1)(2)</sup>**

		VALUE
$V_{CC}$	Supply voltage range	–0.3 V to 7 V
	Voltage range at bus terminals (CANH, CANL, SPLIT)	–27 V to 40 V
$I_O$	Receiver output current	20 mA
$V_I$	Voltage input range, ISO 7637 transient pulse <sup>(3)</sup> (CANH, CANL)	–150 V to 100 V
$V_I$	Voltage input range (TXD, STB)	–0.5 V to 6 V
$T_J$	Junction temperature range	–40°C to 150°C

- (1) Stresses beyond those listed under "absolute maximum ratings" may cause permanent damage to the device. These are stress ratings only, and functional operation of the device at these or any other conditions beyond those indicated under "recommended operating conditions" is not implied. Exposure to absolute-maximum-rated conditions for extended periods may affect device reliability.
- (2) All voltage values, except differential I/O bus voltages, are with respect to network ground terminal.
- (3) Tested in accordance with ISO 7637 test pulses 1, 2, 3a, 3b per IBEE system level test (Pulse 1 = –100 V, Pulse 2 = 100 V, Pulse 3a = –150 V, Pulse 3b = 100 V). If dc may be coupled with ac transients, externally protect the bus pins within the absolute maximum voltage range at any bus terminal. This device has been tested with dc bus shorts to +40 V with leading common-mode chokes. If common-mode chokes are used in the system and the bus lines may be shorted to dc, ensure that the choke type and value in combination with the node termination and shorting voltage either will not create inductive flyback outside of voltage maximum specification or use an external transient-suppression circuit to protect the transceiver from the inductive transients.

**ELECTROSTATIC DISCHARGE PROTECTION**

PARAMETER	TEST CONDITIONS		VALUE
Electrostatic discharge <sup>(1)</sup>	Human-Body Model <sup>(2)</sup>	CANH and CANL <sup>(3)</sup>	±12 kV
		SPLIT <sup>(4)</sup>	±10 kV
		All pins	±4 kV
	Charged-Device Model <sup>(5)</sup>	All pins	±1.5 kV
	Machine Model <sup>(6)</sup>		±200 V

- (1) All typical values at 25°C.
- (2) Tested in accordance JEDEC Standard 22, Test Method A114E.
- (3) Test method based upon JEDEC Standard 22 Test Method A114E, CANH and CANL bus pins stressed with respect to each other and GND.
- (4) Test method based upon JEDEC Standard 22 Test Method A114E, SPLIT pin stressed with respect to GND.
- (5) Tested in accordance JEDEC Standard 22, Test Method C101C.
- (6) Tested in accordance JEDEC Standard 22, Test Method A115A.

**RECOMMENDED OPERATING CONDITIONS**

		MIN	MAX	UNIT	
$V_{CC}$	Supply voltage	4.75	5.25	V	
$V_I$ or $V_{IC}$	Voltage at any bus terminal (separately or common mode)	–12	12	V	
$V_{IH}$	High-level input voltage	TXD, STB	2	5.25	V
$V_{IL}$	Low-level input voltage	TXD, STB	0	0.8	V
$V_{ID}$	Differential input voltage	–6	6	V	
$I_{OH}$	High-level output current	Driver	–70	mA	
		Receiver	–2		
$I_{OL}$	Low-level output current	Driver	70	mA	
		Receiver	2		
$T_A$	Operating free-air temperature range	See Thermal Characteristics table	–40	125	°C

## SUPPLY CURRENT

over recommended operating conditions including operating free-air temperature range (unless otherwise noted)

PARAMETER		TEST CONDITIONS	MIN	TYP <sup>(1)</sup>	MAX	UNIT	
I <sub>CC</sub>	5-V supply current	Standby mode	STB at V <sub>CC</sub> , V <sub>I</sub> = V <sub>CC</sub>		6	12	μA
		Dominant	V <sub>I</sub> = 0 V, 60-Ω load, STB at 0 V		50	70	mA
		Recessive	V <sub>I</sub> = V <sub>CC</sub> , No load, STB at 0 V		6	10	

(1) All typical values are at 25°C with a 5-V supply.

## DEVICE SWITCHING CHARACTERISTICS

over recommended operating conditions, T<sub>A</sub> = –40°C to 125°C (unless otherwise noted)

PARAMETER		TEST CONDITIONS	MIN	MAX	UNIT
t <sub>d(LOOP1)</sub>	Total loop delay, driver input to receiver output, recessive to dominant	STB at 0 V, See Figure 9	90	230	ns
t <sub>d(LOOP2)</sub>	Total loop delay, driver input to receiver output, dominant to recessive		90	230	ns

## DRIVER ELECTRICAL CHARACTERISTICS

over recommended operating conditions, T<sub>A</sub> = –40°C to 125°C (unless otherwise noted)

PARAMETER		TEST CONDITIONS	MIN	TYP <sup>(1)</sup>	MAX	UNIT	
V <sub>O(D)</sub>	Bus output voltage (dominant)	CANH	V <sub>I</sub> = 0 V, STB at 0 V, R <sub>L</sub> = 60 Ω, See Figure 1 and Figure 2	2.9	3.4	4.5	V
		CANL		0.8	1.75		
V <sub>O(R)</sub>	Bus output voltage (recessive)	V <sub>I</sub> = 3 V, STB at 0 V, R <sub>L</sub> = 60 Ω, See Figure 1 and Figure 2	2	2.5	3	V	
V <sub>O</sub>	Bus output voltage (standby mode)	STB at V <sub>CC</sub> , R <sub>L</sub> = 60 Ω, See Figure 1 and Figure 2	–0.1		0.1	V	
V <sub>OD(D)</sub>	Differential output voltage (dominant)	V <sub>I</sub> = 0 V, R <sub>L</sub> = 60 Ω, STB at 0 V, See Figure 1, Figure 2, and Figure 3	1.5		3	V	
		V <sub>I</sub> = 0 V, R <sub>L</sub> = 45 Ω, STB at 0 V, See Figure 1, Figure 2, and Figure 3	1.4		3		
V <sub>OD(R)</sub>	Differential output voltage (recessive)	V <sub>I</sub> = 3 V, STB at 0 V, R <sub>L</sub> = 60 Ω, See Figure 1 and Figure 2	–0.012		0.012	V	
		V <sub>I</sub> = 3 V, STB at 0 V, No load	–0.5		0.05		
V <sub>SYM</sub>	Output symmetry (dominant or recessive) (V <sub>O(CANH)</sub> + V <sub>O(CANL)</sub> )	STB at 0 V, R <sub>L</sub> = 60 Ω, See Figure 13	0.9 V <sub>CC</sub>	V <sub>CC</sub>	1.1 V <sub>CC</sub>	V	
V <sub>OC(ss)</sub>	Steady-state common-mode output voltage	STB at 0 V, R <sub>L</sub> = 60 Ω, See Figure 8	2	2.5	3	V	
ΔV <sub>OC(ss)</sub>	Change in steady-state common-mode output voltage	STB at 0 V, R <sub>L</sub> = 60 Ω, See Figure 8		30		mV	
I <sub>IH</sub>	High-level input current, TXD input	V <sub>I</sub> at V <sub>CC</sub>	–2		2	μA	
I <sub>IL</sub>	Low-level input current, TXD input	V <sub>I</sub> at 0 V	–50		–10	μA	
I <sub>O(off)</sub>	Power-off TXD output current	V <sub>CC</sub> at 0 V, TXD at 5 V			1	μA	
I <sub>OS(ss)</sub>	Short-circuit steady-state output current	V <sub>CANH</sub> = –12 V, CANL open, See Figure 11	–120	–85		mA	
		V <sub>CANH</sub> = 12 V, CANL open, See Figure 11		0.4	1		
		V <sub>CANL</sub> = –12 V, CANH open, See Figure 11	–1	–0.6			
		V <sub>CANL</sub> = 12 V, CANH open, See Figure 11		75	120		
C <sub>O</sub>	Output capacitance	See receiver input capacitance					

(1) All typical values are at 25°C with a 5-V supply.

## DRIVER SWITCHING CHARACTERISTICS

over recommended operating conditions,  $T_A = -40^\circ\text{C}$  to  $125^\circ\text{C}$  (unless otherwise noted)

PARAMETER		TEST CONDITIONS	MIN	TYP <sup>(1)</sup>	MAX	UNIT
$t_{PLH}$	Propagation delay time, low-to-high level output	STB at 0 V, See <a href="#">Figure 4</a>	25	65	120	ns
$t_{PHL}$	Propagation delay time, high-to-low level output	STB at 0 V, See <a href="#">Figure 4</a>	25	45	120	ns
$t_r$	Differential output signal rise time	STB at 0 V, See <a href="#">Figure 4</a>		25		ns
$t_f$	Differential output signal fall time	STB at 0 V, See <a href="#">Figure 4</a>		45		ns
$t_{en}$	Enable time from standby mode to dominant	See <a href="#">Figure 7</a>			10	$\mu\text{s}$
$t_{(dom)}$	Dominant time out <sup>(2)</sup>	$\downarrow V_I$ , See <a href="#">Figure 10</a>	300	450	700	$\mu\text{s}$

(1) All typical values are at  $25^\circ\text{C}$  with a 5-V supply.

(2) The TXD dominant time out ( $t_{(dom)}$ ) disables the driver of the transceiver once the TXD has been dominant longer than  $t_{(dom)}$ , which releases the bus lines to recessive, preventing a local failure from locking the bus dominant. The driver may only transmit dominant again after TXD has been returned HIGH (recessive). While this protects the bus from local faults, locking the bus dominant, it limits the minimum data rate possible. The CAN protocol allows a maximum of eleven successive dominant bits (on TXD) for the worst case, where five successive dominant bits are followed immediately by an error frame. This, along with the  $t_{(dom)}$  minimum, limits the minimum bit rate. The minimum bit rate may be calculated by:

$$\text{Minimum Bit Rate} = 11 / t_{(dom)} = 11 \text{ bits} / 300 \mu\text{s} = 37 \text{ kbps}$$

## RECEIVER ELECTRICAL CHARACTERISTICS

over recommended operating conditions,  $T_A = -40^\circ\text{C}$  to  $125^\circ\text{C}$  (unless otherwise noted)

PARAMETER		TEST CONDITIONS	MIN	TYP <sup>(1)</sup>	MAX	UNIT
$V_{IT+}$	Positive-going input threshold voltage, high-speed mode	STB at 0 V, See <a href="#">Table 1</a>		800	900	mV
$V_{IT-}$	Negative-going input threshold voltage, high-speed mode	STB at 0 V, See <a href="#">Table 1</a>	500	650		mV
$V_{hys}$	Hysteresis voltage ( $V_{IT+} - V_{IT-}$ )		100	125		mV
$V_{IT}$	Input threshold voltage, standby mode	STB at $V_{CC}$	500		1150	mV
$V_{OH}$	High-level output voltage	$I_O = -2 \text{ mA}$ , See <a href="#">Figure 6</a>	4	4.6		V
$V_{OL}$	Low-level output voltage	$I_O = 2 \text{ mA}$ , See <a href="#">Figure 6</a>		0.2	0.4	V
$I_{I(off)}$	Power-off bus input current	CANH = CANL = 5 V, $V_{CC}$ at 0 V, TXD at 0 V			3	$\mu\text{A}$
$I_{O(off)}$	Power-off RXD leakage current	$V_{CC}$ at 0 V, RXD at 5 V			20	$\mu\text{A}$
$C_I$	Input capacitance to ground (CANH or CANL)	TXD at 3 V, $V_I = 0.4 \sin(4E6\pi t) + 2.5 \text{ V}$		13		pF
$C_{ID}$	Differential input capacitance	TXD at 3 V, $V_I = 0.4 \sin(4E6\pi t)$		6		pF
$R_{ID}$	Differential input resistance	TXD at 3 V, STB at 0 V	30		80	k $\Omega$
$R_{IN}$	Input resistance (CANH or CANL)	TXD at 3 V, STB at 0 V	15	30	40	k $\Omega$
$R_{I(m)}$	Input resistance matching $[1 - (R_{IN(CANH)} / R_{IN(CANL)})] \times 100\%$	$V_{(CANH)} = V_{(CANL)}$	-3	0	3	%

(1) All typical values are at  $25^\circ\text{C}$  with a 5-V supply.

## RECEIVER SWITCHING CHARACTERISTICS

over recommended operating conditions,  $T_A = -40^{\circ}\text{C}$  to  $125^{\circ}\text{C}$  (unless otherwise noted)

PARAMETER		TEST CONDITIONS	MIN	TYP <sup>(1)</sup>	MAX	UNIT
$t_{PLH}$	Propagation delay time, low-to-high-level output	STB at 0 V, See Figure 6	60	90	130	ns
$t_{PHL}$	Propagation delay time, high-to-low-level output	STB at 0 V, See Figure 6	45	70	130	ns
$t_r$	Output signal rise time	STB at 0 V, See Figure 6		8		ns
$t_f$	Output signal fall time	STB at 0 V, See Figure 6		8		ns
$t_{BUS}$	Dominant time required on bus for wake-up from standby	STB at $V_{CC}$ , See Figure 12	1.5		5	$\mu\text{s}$

(1) All typical values are at  $25^{\circ}\text{C}$  with a 5-V supply.

## STB PIN CHARACTERISTICS

over recommended operating conditions,  $T_A = -40^{\circ}\text{C}$  to  $125^{\circ}\text{C}$  (unless otherwise noted)

PARAMETER		TEST CONDITIONS	MIN	MAX	UNIT
$I_{IH}$	High-level input current	STB at $V_{CC}$	-10	0	$\mu\text{A}$
$I_{IL}$	Low-level input current	STB at 0 V	-10	0	$\mu\text{A}$

## SPLIT PIN CHARACTERISTICS

over recommended operating conditions,  $T_A = -40^{\circ}\text{C}$  to  $125^{\circ}\text{C}$  (unless otherwise noted)

PARAMETER		TEST CONDITIONS	MIN	TYP <sup>(1)</sup>	MAX	UNIT
$V_O$	Output voltage	$-500 \mu\text{A} < I_O < 500 \mu\text{A}$	$0.3 V_{CC}$	$0.5 V_{CC}$	$0.7 V_{CC}$	V
$I_{O(stb)}$	Leakage current, standby mode	STB at 2 V, $-12 \text{ V} \leq V_O \leq 12 \text{ V}$	-5		5	$\mu\text{A}$

(1) All typical values are at  $25^{\circ}\text{C}$  with a 5-V supply.

## THERMAL CHARACTERISTICS

over recommended operating conditions,  $T_A = -40^{\circ}\text{C}$  to  $125^{\circ}\text{C}$  (unless otherwise noted)

PARAMETER		TEST CONDITIONS	MIN	TYP	MAX	UNIT
$\theta_{JA}$	Junction-to-air thermal resistance <sup>(1)</sup>	Low-K thermal resistance <sup>(2)</sup>		211		$^{\circ}\text{C}/\text{W}$
		High-K thermal resistance <sup>(2)</sup>		131		
$\theta_{JB}$	Junction-to-board thermal resistance			53		$^{\circ}\text{C}/\text{W}$
$\theta_{JC}$	Junction-to-case thermal resistance			79		$^{\circ}\text{C}/\text{W}$
$P_D$	Average power dissipation	$V_{CC} = 5 \text{ V}$ , $T_J = 27^{\circ}\text{C}$ , $R_L = 60 \Omega$ , STB at 0 V, Input to TXD at 500 kHz, 50% duty cycle square wave, $C_L$ at RXD = 15 pF		112		mW
		$V_{CC} = 5.5 \text{ V}$ , $T_J = 130^{\circ}\text{C}$ , $R_L = 45 \Omega$ , STB at 0 V, Input to TXD at 500 kHz, 50% duty cycle square wave, $C_L$ at RXD = 15 pF			170	
Thermal shutdown temperature				185		$^{\circ}\text{C}$

(1) The junction temperature ( $T_J$ ) is calculated using the following  $T_J = T_A + (P_D \times \theta_{JA})$ .

(2) Tested in accordance with the Low-K (EIA/JESD51-3) or High-K (EIA/JESD51-7) thermal metric definitions for leaded surface-mount packages.

**FUNCTION TABLES**
**DRIVER<sup>(1)</sup>**

INPUTS		OUTPUTS		BUS STATE
TXD	STB	CANH	CANL	
L	L	H	L	Dominant
H	L	Z	Z	Recessive
Open	L	Z	Z	Recessive
X	H or Open	Y	Y	Recessive

(1) H = high level, L = low level, X = irrelevant, ? = indeterminate, Z = high impedance

**RECEIVER<sup>(1)</sup>**

DIFFERENTIAL INPUTS $V_{ID} = V(CANH) - V(CANL)$	STB	OUTPUT RXD	BUS STATE
$V_{ID} \geq 0.9\text{ V}$	L	L	Dominant
$V_{ID} \geq 1.15\text{ V}$	H or Open	L	Dominant
$0.5\text{ V} < V_{ID} < 0.9\text{ V}$	X	?	?
$V_{ID} \leq 0.5\text{ V}$	X	H	Recessive
Open	X	H	Recessive

(1) H = high level, L = low level, X = irrelevant, ? = indeterminate, Z = high impedance

PARAMETER MEASUREMENT INFORMATION

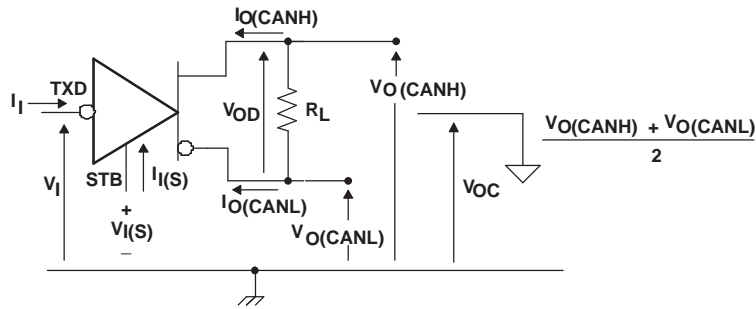


Figure 1. Driver Voltage, Current, and Test Definition

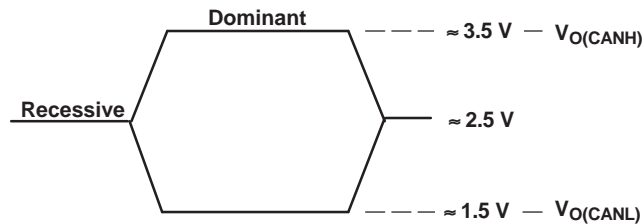


Figure 2. Bus Logic-State Voltage Definitions

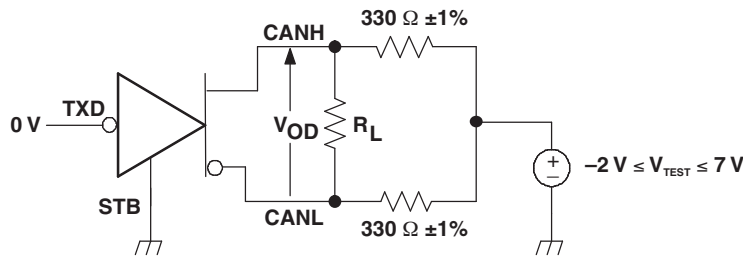


Figure 3. Driver V<sub>OD</sub> Test Circuit

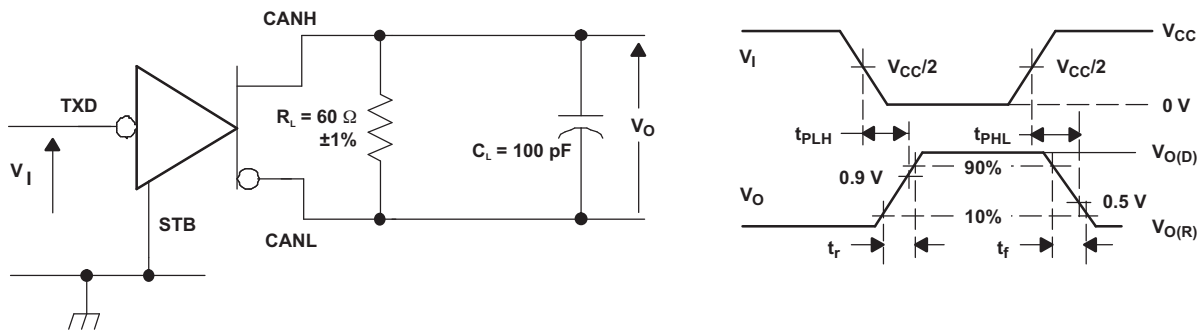


Figure 4. Driver Test Circuit and Voltage Waveforms



PARAMETER MEASUREMENT INFORMATION (continued)

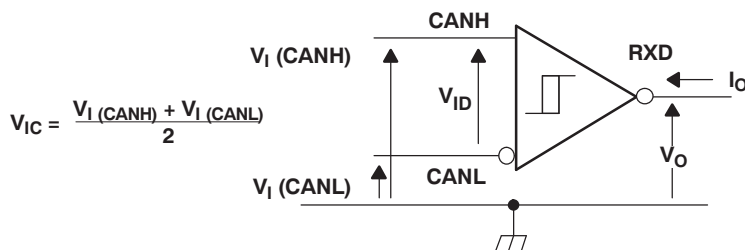
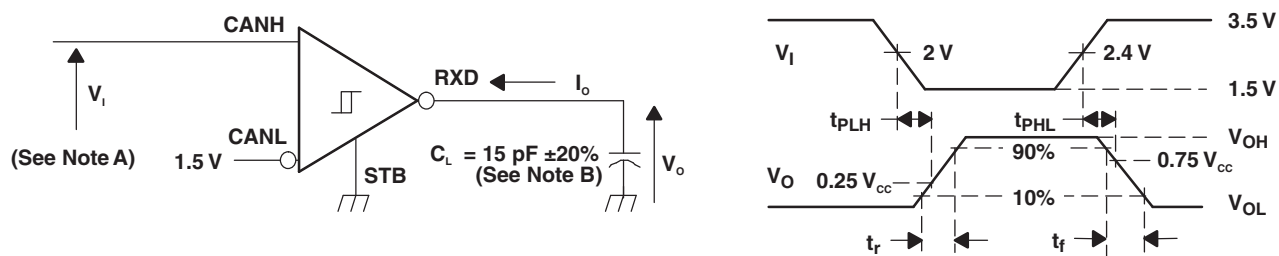


Figure 5. Receiver Voltage and Current Definitions

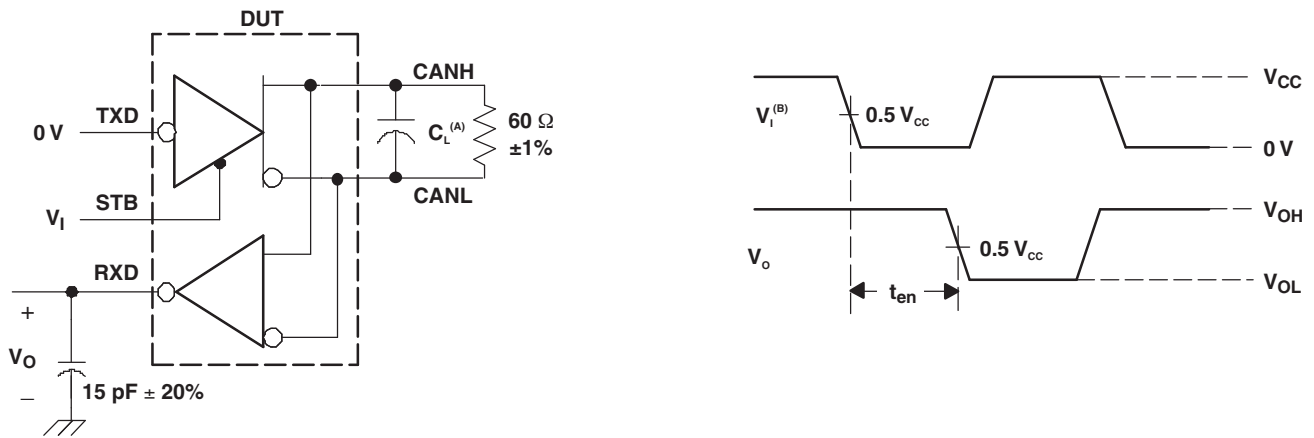


- A. The input pulse is supplied by a generator having the following characteristics: PRR ≤ 125 kHz, 50% duty cycle, t<sub>r</sub> ≤ 6 ns, t<sub>f</sub> ≤ 6 ns, Z<sub>O</sub> = 50 Ω.
- B. C<sub>L</sub> includes instrumentation and fixture capacitance within ±20%.

Figure 6. Receiver Test Circuit and Voltage Waveforms

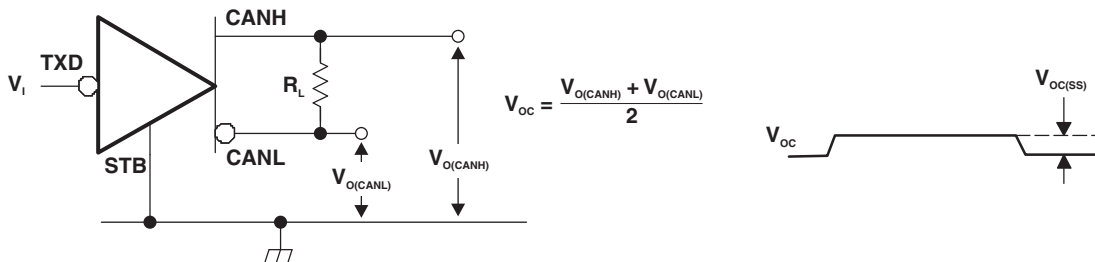
Table 1. Differential Input Voltage Threshold Test

INPUT			OUTPUT	
V <sub>CANH</sub>	V <sub>CANL</sub>	V <sub>ID</sub>	R	
-11.1 V	-12 V	900 mV	L	V <sub>OL</sub>
12 V	11.1 V	900 mV	L	
-6 V	-12 V	6 V	L	
12 V	6 V	6 V	L	
-11.5 V	-12 V	500 mV	H	V <sub>OH</sub>
12 V	11.5 V	500 mV	H	
-12 V	-6 V	6 V	H	
6 V	12 V	6 V	H	
Open	Open	X	H	



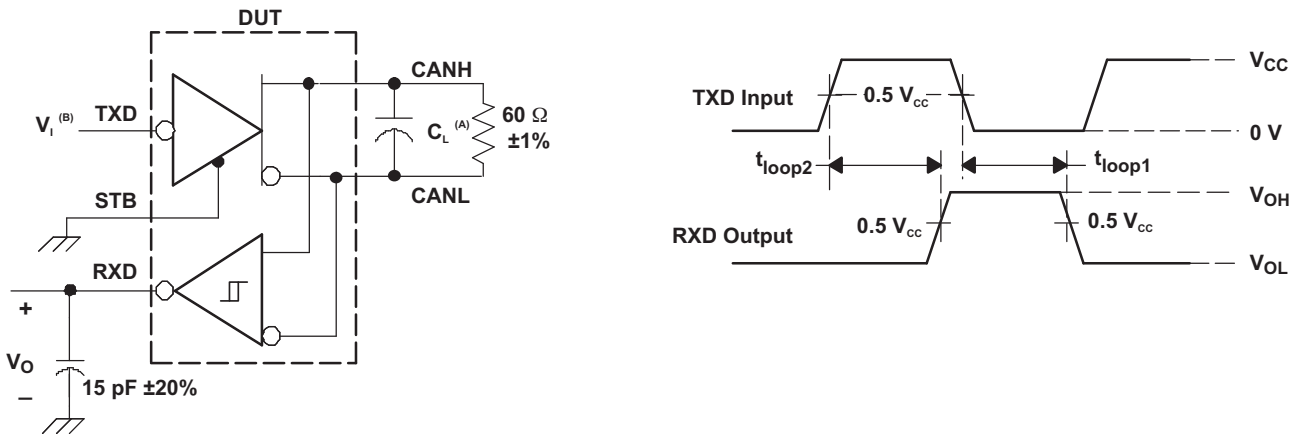
- A.  $C_L = 100 \text{ pF}$  and includes instrumentation and fixture capacitance within  $\pm 20\%$ .
- B. All  $V_i$  input pulses are supplied by a generator having the following characteristics:  $t_r$  or  $t_f \leq 6 \text{ ns}$ , pulse repetition rate (PRR) = 125 kHz, 50% duty cycle.

Figure 7.  $t_{en}$  Test Circuit and Waveforms



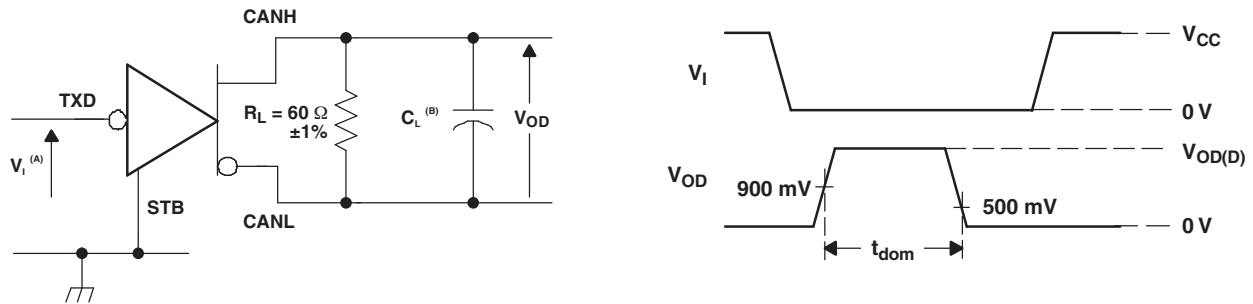
NOTE: All  $V_i$  input pulses are from 0 V to  $V_{CC}$  and supplied by a generator having the following characteristics:  $t_r$  or  $t_f \leq 6 \text{ ns}$ , pulse repetition rate (PRR) = 125 kHz, 50% duty cycle.

Figure 8. Common-Mode Output Voltage Test and Waveforms



- A.  $C_L = 100 \text{ pF}$  and includes instrumentation and fixture capacitance within  $\pm 20\%$ .
- B. All  $V_i$  input pulses are from 0 V to  $V_{CC}$  and supplied by a generator having the following characteristics:  $t_r$  or  $t_f \leq 6 \text{ ns}$ , pulse repetition rate (PRR) = 125 kHz, 50% duty cycle.

Figure 9.  $t_{(LOOP)}$  Test Circuit and Waveforms



- A. All  $V_I$  input pulses are from 0 V to  $V_{CC}$  and supplied by a generator having the following characteristics:  $t_r$  or  $t_f \leq 6$  ns, pulse repetition rate (PRR) = 500 Hz, 50% duty cycle.
- B.  $C_L = 100$  pF includes instrumentation and fixture capacitance within  $\pm 20\%$ .

Figure 10. Dominant Time-Out Test Circuit and Waveforms

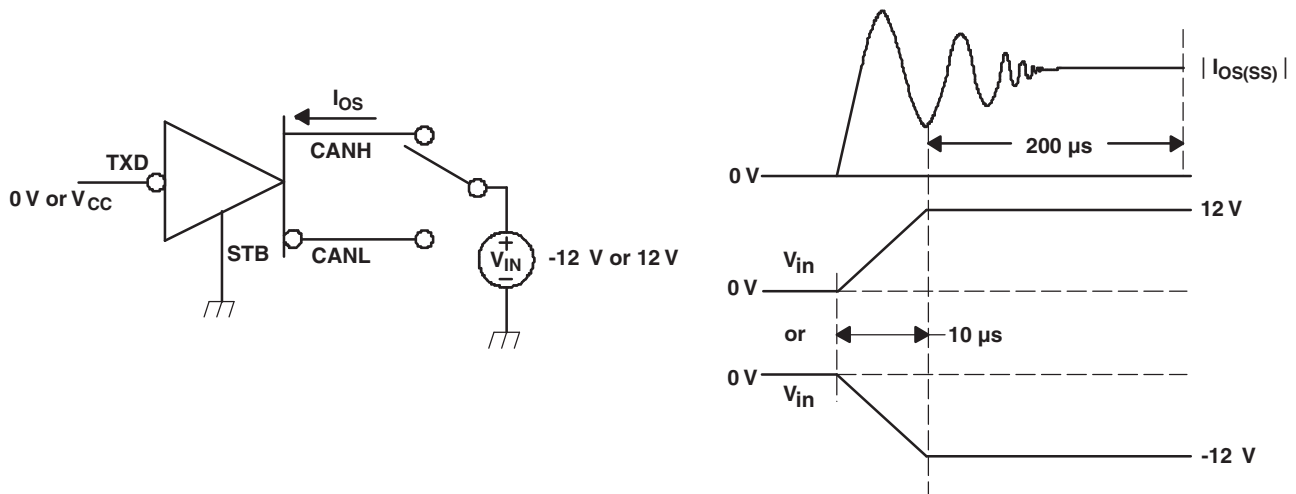
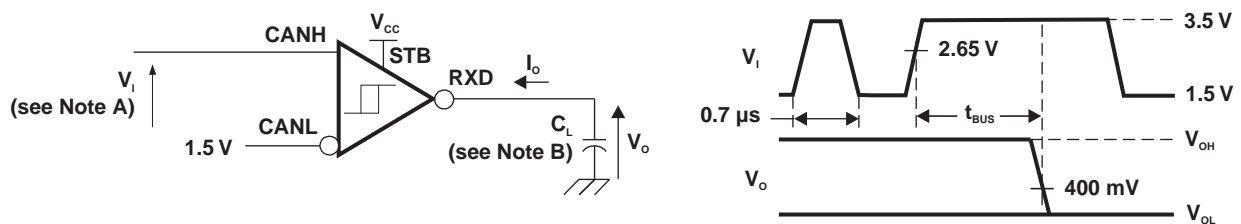
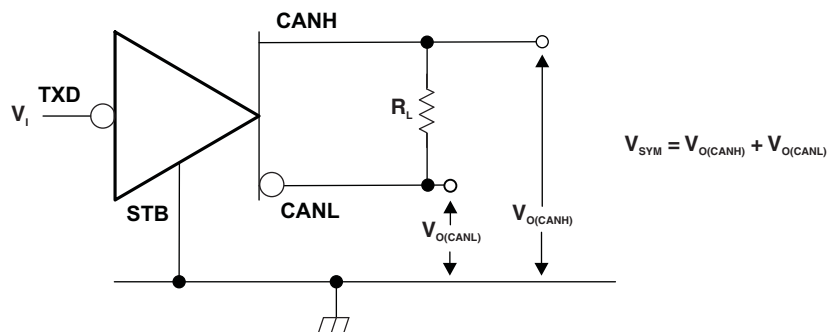


Figure 11. Driver Short-Circuit Current Test and Waveforms



- A. For  $V_I$  bit width  $\leq 0.7$   $\mu\text{s}$ ,  $V_O = V_{OH}$ . For  $V_I$  bit width  $\geq 5$   $\mu\text{s}$ ,  $V_O = V_{OL}$ .  $V_I$  input pulses are supplied from a generator with the following characteristics:  $t_r/t_f < 6$  ns.
- B.  $C_L = 15$  pF and includes instrumentation and fixture capacitance within  $\pm 20\%$ .

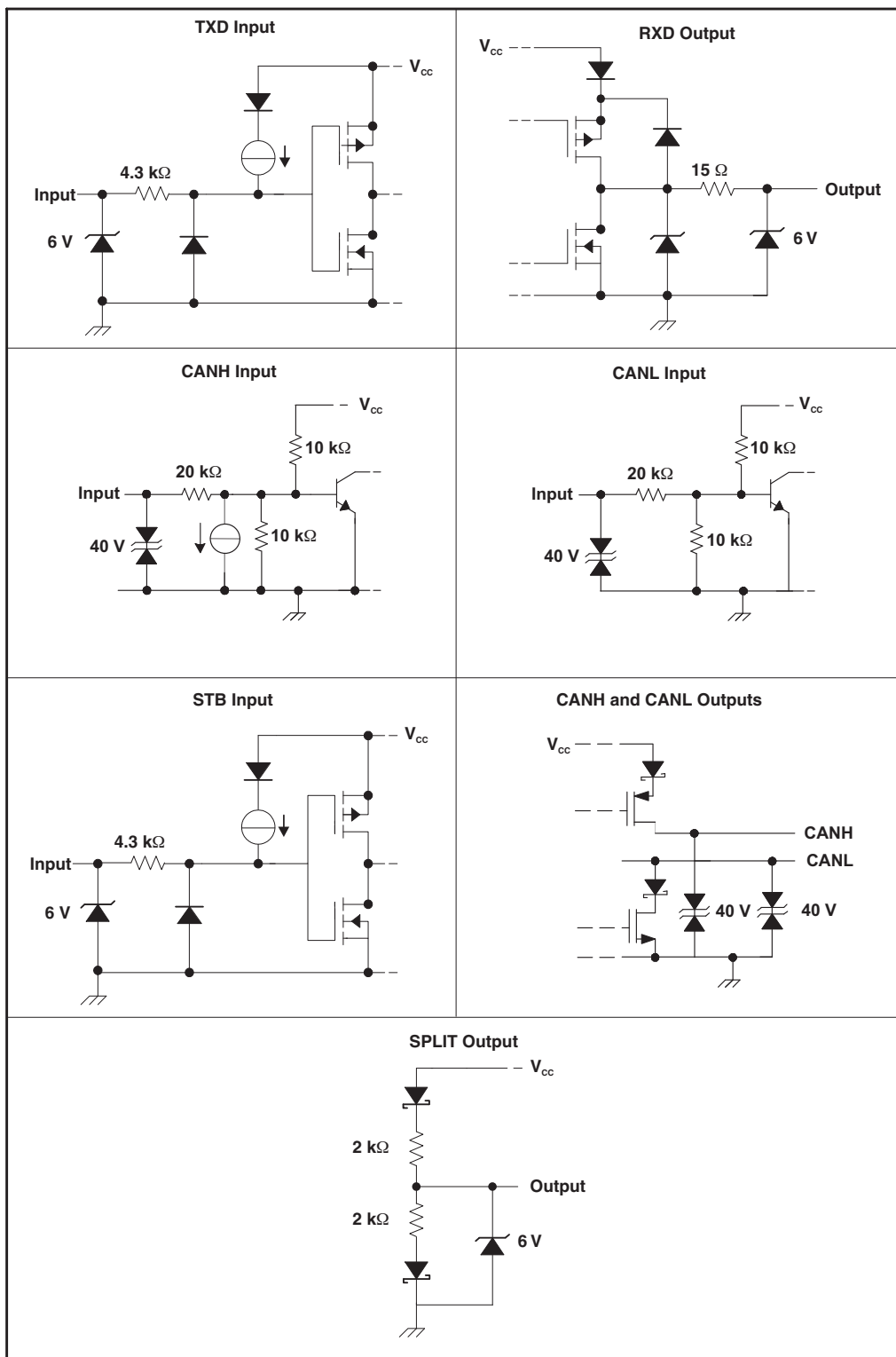
Figure 12.  $t_{BUS}$  Test Circuit and Waveforms



- A. All  $V_i$  input pulses are from 0 V to  $V_{CC}$  and supplied by a generator having the following characteristics:  $t_r/t_f \leq 6$  ns, pulse repetition rate (PRR) = 250 kHz, 50% duty cycle.

**Figure 13. Driver Output Symmetry Test Circuit**

Equivalent Input and Output Schematic Diagrams



APPLICATION INFORMATION

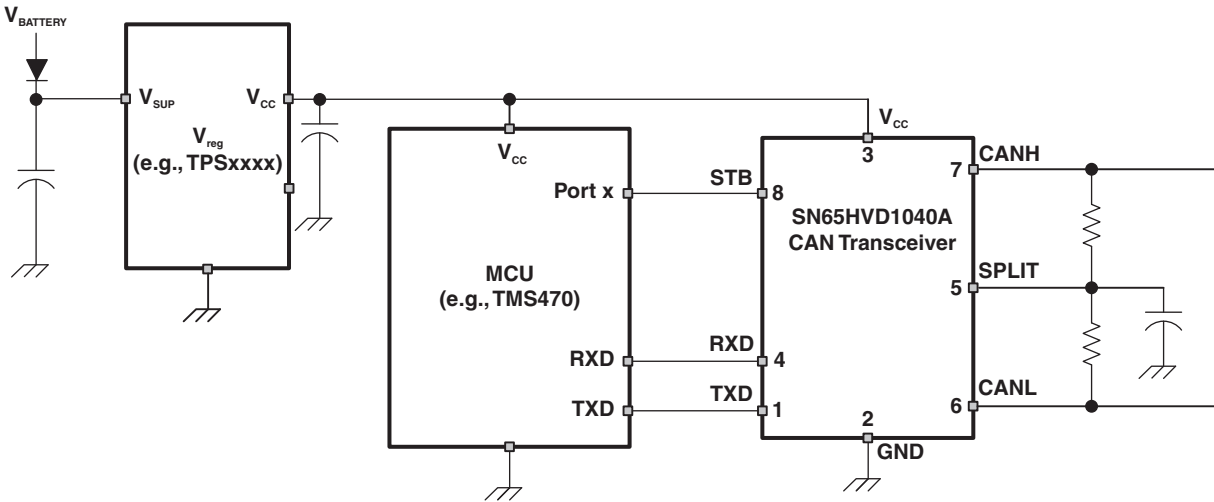


Figure 14. Typical Application Using Split Termination for Stabilization

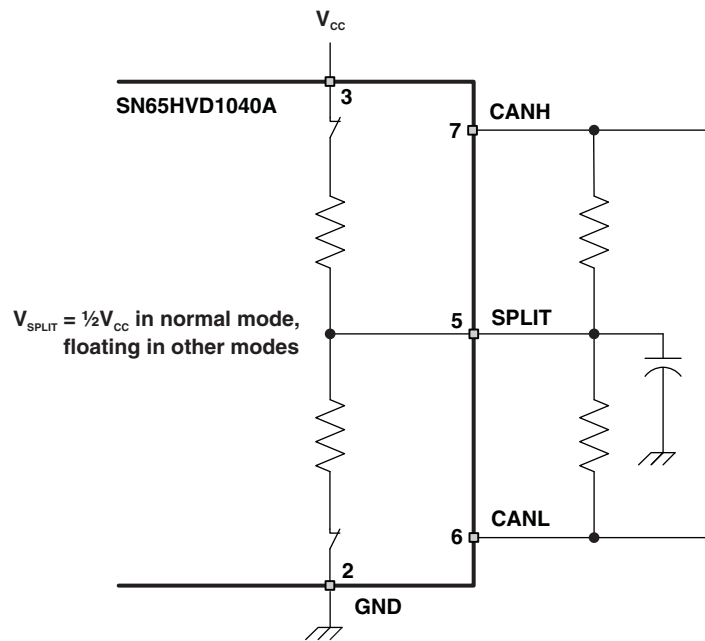


Figure 15. Split Pin Stabilization Circuitry and Application

**PACKAGING INFORMATION**

Orderable Device	Status <sup>(1)</sup>	Package Type	Package Drawing	Pins	Package Qty	Eco Plan <sup>(2)</sup>	Lead/Ball Finish	MSL Peak Temp <sup>(3)</sup>
SN65HVD1040AQDRQ1	ACTIVE	SOIC	D	8	2500	Green (RoHS & no Sb/Br)	CU NIPDAU	Level-1-260C-UNLIM

<sup>(1)</sup> The marketing status values are defined as follows:

**ACTIVE:** Product device recommended for new designs.

**LIFEBUY:** TI has announced that the device will be discontinued, and a lifetime-buy period is in effect.

**NRND:** Not recommended for new designs. Device is in production to support existing customers, but TI does not recommend using this part in a new design.

**PREVIEW:** Device has been announced but is not in production. Samples may or may not be available.

**OBSELETE:** TI has discontinued the production of the device.

<sup>(2)</sup> Eco Plan - The planned eco-friendly classification: Pb-Free (RoHS), Pb-Free (RoHS Exempt), or Green (RoHS & no Sb/Br) - please check <http://www.ti.com/productcontent> for the latest availability information and additional product content details.

**TBD:** The Pb-Free/Green conversion plan has not been defined.

**Pb-Free (RoHS):** TI's terms "Lead-Free" or "Pb-Free" mean semiconductor products that are compatible with the current RoHS requirements for all 6 substances, including the requirement that lead not exceed 0.1% by weight in homogeneous materials. Where designed to be soldered at high temperatures, TI Pb-Free products are suitable for use in specified lead-free processes.

**Pb-Free (RoHS Exempt):** This component has a RoHS exemption for either 1) lead-based flip-chip solder bumps used between the die and package, or 2) lead-based die adhesive used between the die and leadframe. The component is otherwise considered Pb-Free (RoHS compatible) as defined above.

**Green (RoHS & no Sb/Br):** TI defines "Green" to mean Pb-Free (RoHS compatible), and free of Bromine (Br) and Antimony (Sb) based flame retardants (Br or Sb do not exceed 0.1% by weight in homogeneous material)

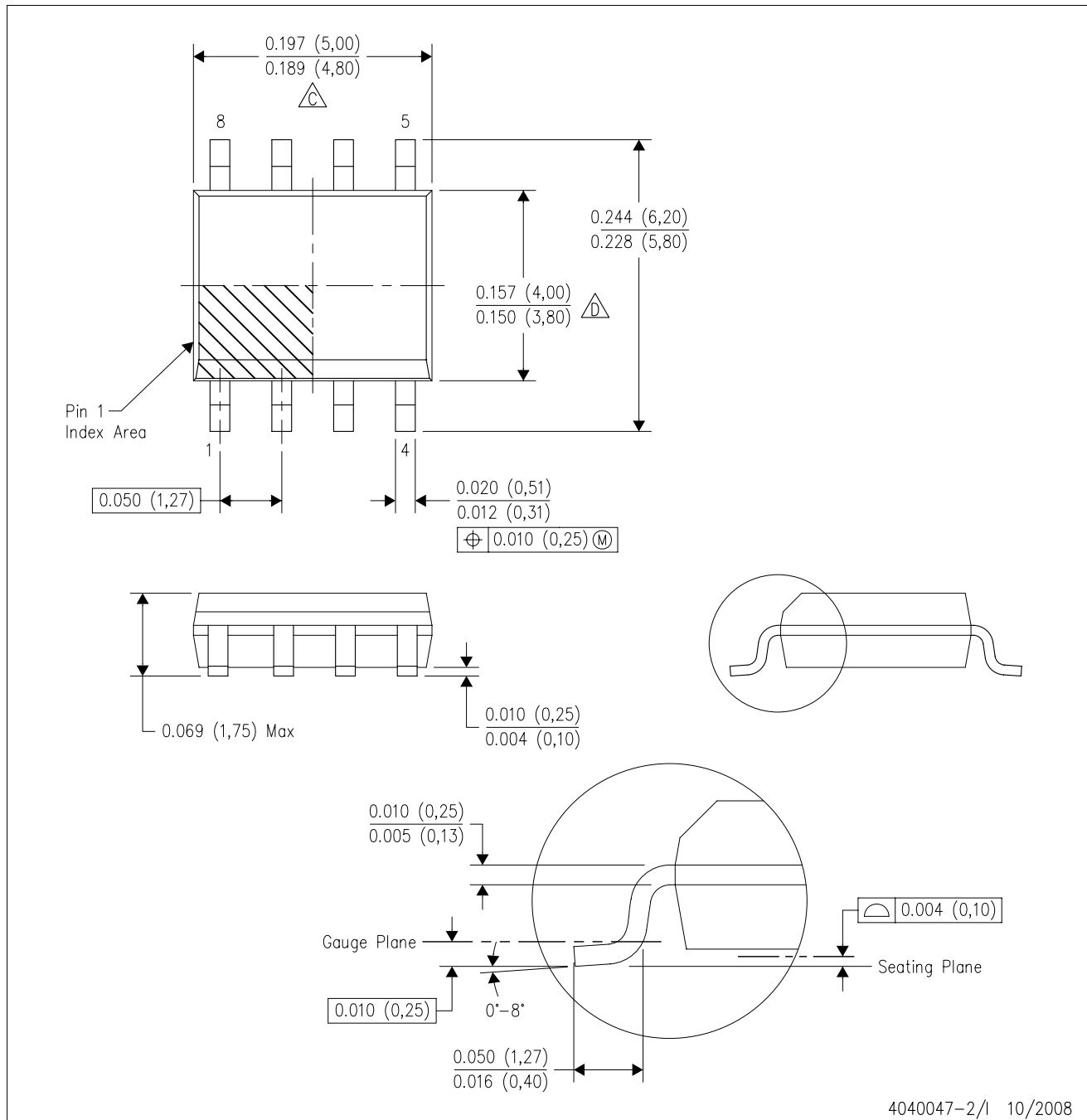
<sup>(3)</sup> MSL, Peak Temp. -- The Moisture Sensitivity Level rating according to the JEDEC industry standard classifications, and peak solder temperature.

**Important Information and Disclaimer:**The information provided on this page represents TI's knowledge and belief as of the date that it is provided. TI bases its knowledge and belief on information provided by third parties, and makes no representation or warranty as to the accuracy of such information. Efforts are underway to better integrate information from third parties. TI has taken and continues to take reasonable steps to provide representative and accurate information but may not have conducted destructive testing or chemical analysis on incoming materials and chemicals. TI and TI suppliers consider certain information to be proprietary, and thus CAS numbers and other limited information may not be available for release.

In no event shall TI's liability arising out of such information exceed the total purchase price of the TI part(s) at issue in this document sold by TI to Customer on an annual basis.

D (R-PDSO-G8)

PLASTIC SMALL-OUTLINE PACKAGE



- NOTES:
- A. All linear dimensions are in inches (millimeters).
  - B. This drawing is subject to change without notice.
  - C. Body length does not include mold flash, protrusions, or gate burrs. Mold flash, protrusions, or gate burrs shall not exceed .006 (0,15) per end.
  - D. Body width does not include interlead flash. Interlead flash shall not exceed .017 (0,43) per side.
  - E. Reference JEDEC MS-012 variation AA.



## IMPORTANT NOTICE

Texas Instruments Incorporated and its subsidiaries (TI) reserve the right to make corrections, modifications, enhancements, improvements, and other changes to its products and services at any time and to discontinue any product or service without notice. Customers should obtain the latest relevant information before placing orders and should verify that such information is current and complete. All products are sold subject to TI's terms and conditions of sale supplied at the time of order acknowledgment.

TI warrants performance of its hardware products to the specifications applicable at the time of sale in accordance with TI's standard warranty. Testing and other quality control techniques are used to the extent TI deems necessary to support this warranty. Except where mandated by government requirements, testing of all parameters of each product is not necessarily performed.

TI assumes no liability for applications assistance or customer product design. Customers are responsible for their products and applications using TI components. To minimize the risks associated with customer products and applications, customers should provide adequate design and operating safeguards.

TI does not warrant or represent that any license, either express or implied, is granted under any TI patent right, copyright, mask work right, or other TI intellectual property right relating to any combination, machine, or process in which TI products or services are used. Information published by TI regarding third-party products or services does not constitute a license from TI to use such products or services or a warranty or endorsement thereof. Use of such information may require a license from a third party under the patents or other intellectual property of the third party, or a license from TI under the patents or other intellectual property of TI.

Reproduction of TI information in TI data books or data sheets is permissible only if reproduction is without alteration and is accompanied by all associated warranties, conditions, limitations, and notices. Reproduction of this information with alteration is an unfair and deceptive business practice. TI is not responsible or liable for such altered documentation. Information of third parties may be subject to additional restrictions.

Resale of TI products or services with statements different from or beyond the parameters stated by TI for that product or service voids all express and any implied warranties for the associated TI product or service and is an unfair and deceptive business practice. TI is not responsible or liable for any such statements.

TI products are not authorized for use in safety-critical applications (such as life support) where a failure of the TI product would reasonably be expected to cause severe personal injury or death, unless officers of the parties have executed an agreement specifically governing such use. Buyers represent that they have all necessary expertise in the safety and regulatory ramifications of their applications, and acknowledge and agree that they are solely responsible for all legal, regulatory and safety-related requirements concerning their products and any use of TI products in such safety-critical applications, notwithstanding any applications-related information or support that may be provided by TI. Further, Buyers must fully indemnify TI and its representatives against any damages arising out of the use of TI products in such safety-critical applications.

TI products are neither designed nor intended for use in military/aerospace applications or environments unless the TI products are specifically designated by TI as military-grade or "enhanced plastic." Only products designated by TI as military-grade meet military specifications. Buyers acknowledge and agree that any such use of TI products which TI has not designated as military-grade is solely at the Buyer's risk, and that they are solely responsible for compliance with all legal and regulatory requirements in connection with such use.

TI products are neither designed nor intended for use in automotive applications or environments unless the specific TI products are designated by TI as compliant with ISO/TS 16949 requirements. Buyers acknowledge and agree that, if they use any non-designated products in automotive applications, TI will not be responsible for any failure to meet such requirements.

Following are URLs where you can obtain information on other Texas Instruments products and application solutions:

### Products

Amplifiers	<a href="http://amplifier.ti.com">amplifier.ti.com</a>
Data Converters	<a href="http://dataconverter.ti.com">dataconverter.ti.com</a>
DSP	<a href="http://dsp.ti.com">dsp.ti.com</a>
Clocks and Timers	<a href="http://www.ti.com/clocks">www.ti.com/clocks</a>
Interface	<a href="http://interface.ti.com">interface.ti.com</a>
Logic	<a href="http://logic.ti.com">logic.ti.com</a>
Power Mgmt	<a href="http://power.ti.com">power.ti.com</a>
Microcontrollers	<a href="http://microcontroller.ti.com">microcontroller.ti.com</a>
RFID	<a href="http://www.ti-rfid.com">www.ti-rfid.com</a>
RF/IF and ZigBee® Solutions	<a href="http://www.ti.com/lprf">www.ti.com/lprf</a>

### Applications

Audio	<a href="http://www.ti.com/audio">www.ti.com/audio</a>
Automotive	<a href="http://www.ti.com/automotive">www.ti.com/automotive</a>
Broadband	<a href="http://www.ti.com/broadband">www.ti.com/broadband</a>
Digital Control	<a href="http://www.ti.com/digitalcontrol">www.ti.com/digitalcontrol</a>
Medical	<a href="http://www.ti.com/medical">www.ti.com/medical</a>
Military	<a href="http://www.ti.com/military">www.ti.com/military</a>
Optical Networking	<a href="http://www.ti.com/opticalnetwork">www.ti.com/opticalnetwork</a>
Security	<a href="http://www.ti.com/security">www.ti.com/security</a>
Telephony	<a href="http://www.ti.com/telephony">www.ti.com/telephony</a>
Video & Imaging	<a href="http://www.ti.com/video">www.ti.com/video</a>
Wireless	<a href="http://www.ti.com/wireless">www.ti.com/wireless</a>

Mailing Address: Texas Instruments, Post Office Box 655303, Dallas, Texas 75265  
Copyright © 2008, Texas Instruments Incorporated